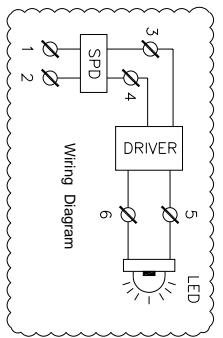


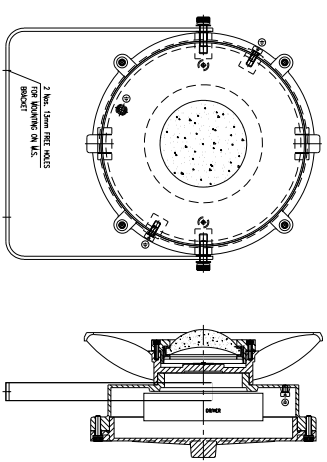
- Light Fitting Standard Specification :**
- a) WATTAGE : 100 WATTS
 - b) VOLTAGE : 140V-270V AC
 - c) POWER FACTOR : >0.95
 - d) INPUT FREQUENCY : 50 Hz
 - e) EFFICACY : ≥100 LUMEN PER WATT
 - f) COLOUR (CCT) : 3000K/5700K/6500K/OR AS SPECIFIED
 - g) CRI : ≥80 RA
 - h) TOTAL HARMONIC DISTORTION : ≤ 10% THD
 - i) BEAM ANGLE : 120 DEGREE
 - j) SURFACE TEMPERATURE : MAX. 70°
 - k) SURGE PROTECTION : 10 KV SPD

- Light Fitting OPTIONS :**
- 1) MATERIAL CONSTRUCTION : STAINLESS STEEL
 - 2) VOLTAGE : 220V DC/110V AC/110V DC/24V AC
 - 3) BEAM ANGLE : LENS AVAILABLE 60/90/120 DEGREE
 - 4) LED MAKE : CITIZEN/OSRAM/BRIDGELUX/EQUIVALENT
 - 5) DRIVER MAKE : OSRAM/PHILIPS/FULHAM/EQUIVALENT
 - 6) CABLE GLAND & PLUG : BRASS/S.S./ALUMINIUM
 - 7) WIRE GUARD : M.S. WHITE EPOXY POWDER COATED / S.S.



- Reference IS/IEC Standard as follows :**
- 1 - FLAMEPROOF (Ex d) PROTECTION - IIA/IIb & IIC, IS/IEC 60079-1 (2014)
 - TEMPERATURE CLASS - T6
 - 2 - INGRESS (IP) PROTECTION - IP-66, IS/IEC 60529 (2001). (Reaffirmed 2014)
- Standard Specification :**
- 1 - MATERIAL - CAST ALUMINIUM ALLOY
 - 2 - FINISH - INSIDE & OUTSIDE LIGHT GREY EPOXY POWDER COATING SHADE No. 631 AS PER IS-5
 - 3 - EARTHING - 1 No. INSIDE & 2 Nos. OUTSIDE M6 SIZE S.S./BRASS SCREWS WITH 2 Nos. PLAIN WASHER
 - 4 - HARDWARE - STAINLESS STEEL
 - 5 - GASKET - 'O' RING ENDLESS NEOPRENE RUBBER GASKET
 - 6 - MOUNTING ARRGT. - AS SHOWN IN DRG.

- Material / Components Specification :**
- 1 - S.S. NAME CUM WARNING PLATE (WITH DESCRIPTION TITLE, CIMFR, PESO, SR. NO., GAS GROUP, RATING, BIS MARKING, WARNING STATUS, etc...)
 - 2 - GLASS - HEAT RESISTANCE CLEAR TOUCHENED GLASS 'TYPE-A' OF 'SUDHIR' BRAND
 - 3 - CABLE ENTRIES - 2 Nos. M20 / 1/2" NPT / 3/4" ET SIZE CABLE ENTRIES FROM SIDE (REFER DRAWING)
 - 4 - TERMINALS - 6 Nos. 2.5sq. mm (MICRO) CLIP-ON TYPE TERMINALS OF 'ELMEY/CONNECTWELL' MAKE



THIS DRAWING IS PROPERTY OF "SUDHIR SWITCHGEARS PVT. LTD." AND MUST BE RETURNED ON REQUEST IF IT IS SUBMITTED AS CONFIDENTIAL INFORMATION IN CONNECTION WITH ENQUIRY, TENDER, ORDER, OR CONTRACTS IT IS NOT TO BE USED FOR ANY OTHER PURPOSE OR ORDER NOR MAY IT RE-COPIED OR LENT WITHOUT OUR AUTHORITY IN WRITING.

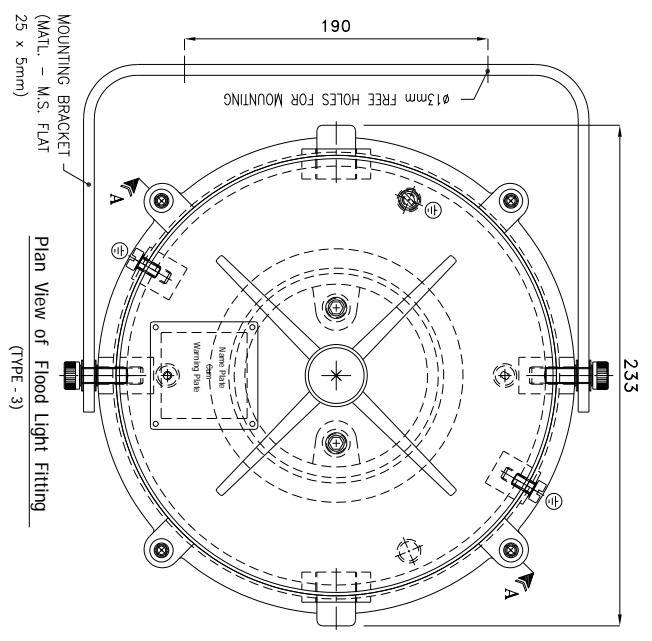
THANE

| | | | | | | |
|---|------|-----------------|------|-------|-------|-------|
| NOTE : | | CAT. No. | | | | |
| <ul style="list-style-type: none"> • COMPONENT LAYOUT IS TENTATIVE RELOCATION OF PARTS & COMPONENTS IS POSSIBLE AT THE TIME OF ACTUAL MANUFACTURING. • OVERALL DIMENSIONS ARE ±10mm | | WG/1240 | | | | |
| | | MODEL No.: | | | | |
| | | WG/1240/FL/100 | | | | |
| | | DRN. profile | | | | |
| | | CHKD. JASRAH | | | | |
| | | APPD. . | | | | |
| | | SHEET 1 OF 1 | | | | |
| | | N. T. S. REV.-0 | | | | |
| REV. | DATE | DESCRIPTION | DRN. | CHKD. | APPD. | SCALE |

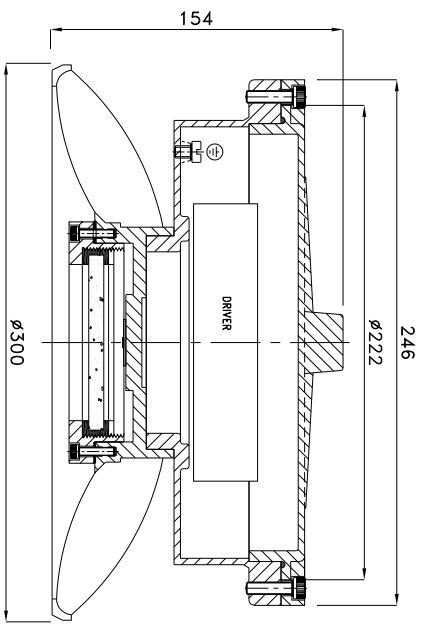
SUDHIR SWITCHGEARS PVT. LTD.
130, MULBENI SAMACHAR MARG, MULBENI - 400 023

TITLE : **FLP-WP ENCLOSURE FOR FLOOD LIGHT FITTING SUITABLE FOR 100 WATTS LED LIGHT FITTING**

CIMFR CERT. No. : IN/CIMFR/TR21/P/H176
Dt. 11/08/2021
PESO No. : PS46023/1
Dt. 26/09/2022
BIS LICENCE No. : CM/L-0002914461



Plan View of Flood Light Fitting
(TYPE - 3)

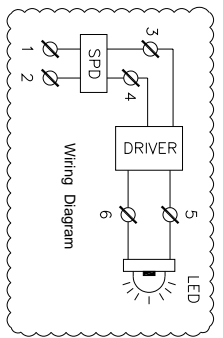


SECTIONAL VIEW OF FLOOD LIGHT FITTING
SECTION --A-A'

- Light Fitting Standard Specification :**
- a) WATTAGE : 110 WATTS
 - b) VOLTAGE : 140V-270V AC
 - c) POWER FACTOR : >0.95
 - d) INPUT FREQUENCY : 50 Hz
 - e) EFFICACY : >100 LUMEN PER WATT
 - f) COLOUR (CCT) : 3000K/5700K/6500K/OR AS SPECIFIED
 - g) CRI : >80 RA
 - h) TOTAL HARMONIC DISTORTION : ≤ 10% THD
 - i) BEAM ANGLE : 120 DEGREE
 - j) SURFACE TEMPERATURE : MAX. 70°
 - k) SURGE PROTECTION : 10 KV SPD

Light Fitting OPTIONS :

- Light Fitting CONSTRUCTION :** STAINLESS STEEL
- 1) MATERIAL CONSTRUCTION : STAINLESS STEEL
 - 2) VOLTAGE : 220V DC/110V AC/110V DC/24V AC
 - 3) BEAM ANGLE : LENS AVAILABLE 60/90/120 DEGREE
 - 4) LED MAKE : CITIZEN/OSRAM/BRIDGELUX/EQUIVALENT
 - 5) DRIVER MAKE : OSRAM/PHILIPS/FULHAM/EQUIVALENT
 - 6) CABLE GLAND & PLUG : BRASS/S.S./ALUMINIUM
 - 7) WIRE GUARD : M.S. WHITE EPOXY POWDER COATED / S.S.



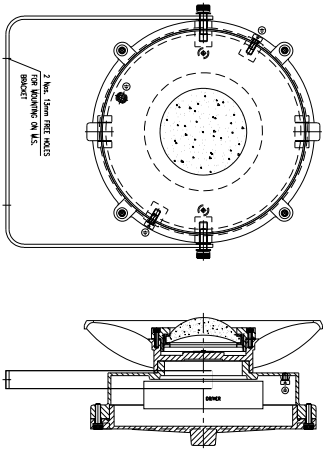
- Reference IS/IEC Standard as follows :**
- 1 - FLAMEPROOF (Ex d) PROTECTION - IIA/IB & IIC, IS/IEC 60079-1 (2014)
 - TEMPERATURE CLASS - T6
 - 2 - INGRESS (IP) PROTECTION - IP-66, IS/IEC 60529 (2001). (Reaffirmed 2014)

Standard Specification :

- 1 - MATERIAL - CAST ALUMINIUM ALLOY
- 2 - FINISH - INSIDE & OUTSIDE LIGHT GREY EPOXY POWDER COATING SHADE No. 631 AS PER IS-5
- 3 - EARTHING - 1 No. INSIDE & 2 Nos. OUTSIDE M6 SIZE S.S./BRASS SCREWS WITH 2 Nos. PLAIN WASHER
- 4 - HARDWARE - STAINLESS STEEL
- 5 - GASKET - 'O' RING ENDLESS NEOPRENE RUBBER GASKET
- 6 - MOUNTING ARRGT. - AS SHOWN IN DRG.

Material / Components Specification :

- 1 - S.S. NAME CUM WARNING PLATE (WITH DESCRIPTION TITLE, CIMFR, PESO, SR. NO., GAS GROUP, RATING, BIS MARKING, WARNING STATUS, etc...)
- 2 - GLASS - HEAT RESISTANCE CLEAR TOUCHENED GLASS 'TYPE-A' OF 'SUDHIR' BRAND
- 3 - CABLE ENTRIES - 2 Nos. M20 / 1/2" NPT / 3/4" ET SIZE CABLE ENTRIES FROM SIDE (REFER DRAWING)
- 4 - TERMINALS - 6 Nos. 2.5sq. mm (MICRO) CLIP-ON TYPE TERMINALS OF 'ELMEY/CONNECTWELL' MAKE

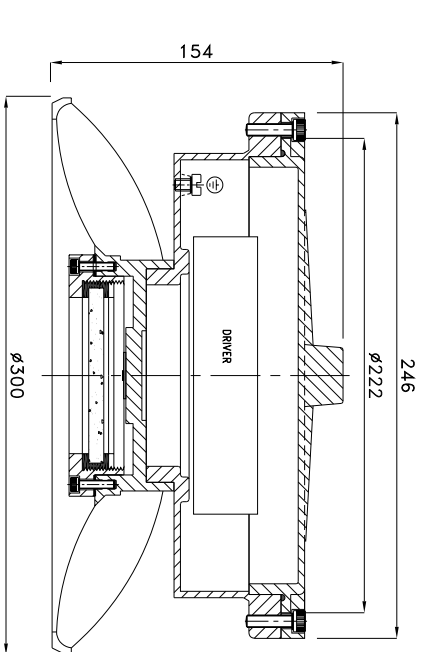
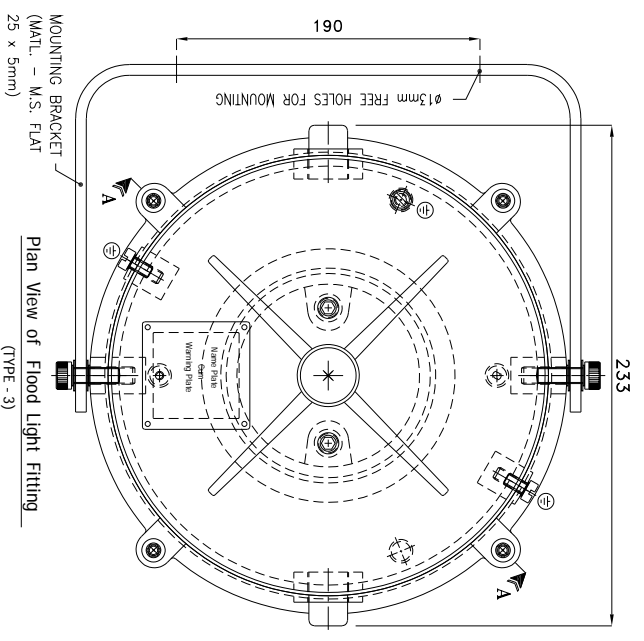


Bracket For Flood Light Fitting

THIS DRAWING IS PROPERTY OF "SUDHIR SWITCHGEARS PVT. LTD." AND MUST BE RETURNED ON REQUEST IF IT IS SUBMITTED AS CONFIDENTIAL INFORMATION IN CONNECTION WITH ENQUIRY, TENDER, ORDER, OR CONTRACTS IT IS NOT TO BE USED FOR ANY OTHER PURPOSE OR ORDER NOR MAY IT RE-COPIED OR LENT WITHOUT OUR AUTHORITY IN WRITING.

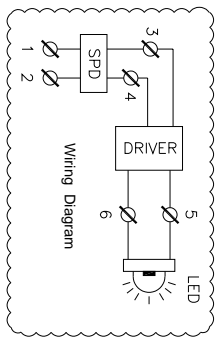
THANE

| | | | |
|--|------|-------------|-----------------|
| NOTE : | | CAT. No | WG/1240 |
| • COMPONENT LAYOUT IS TENTATIVE RELOCATION OF PARTS & COMPONENTS IS POSSIBLE AT THE TIME OF ACTUAL MANUFACTURING. | | MODEL No.: | WG/1240/FL/110 |
| • OVERALL DIMENSIONS ARE ±10mm | | DRN. | profill |
| Δ | | CHKD. | JASRAH |
| Δ | | APPD. | |
| Δ | | SHEET | 1 OF 1 |
| REV. | DATE | DESCRIPTION | DRN. |
| | | | CHD. |
| | | | APPD. |
| | | | SCALE |
| | | | N. T. S. REV.-0 |
| <p>SUDHIR SWITCHGEARS PVT. LTD. 130, MULBARI SAMACHAR MARG, MULBARI - 400 023</p> <p>TITLE : FLP-WP ENCLOSURE FOR FLOOD LIGHT FITTING SUITABLE FOR 110 WATTS LED LIGHT FITTING</p> <p>CHKD. CERT. No. : IN/CIMFR/TR21/P/H176 Dt. 11/08/2021</p> <p>PESO No. : P546023/1 Dt. 26/09/2022</p> <p>BIS LICENCE No. : CM/L-0002914461</p> | | | |



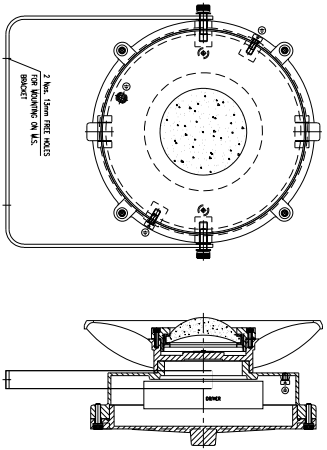
- Light Fitting Standard Specification :**
- a) WATTAGE : 120 WATTS
 - b) VOLTAGE : 140V-270V AC
 - c) POWER FACTOR : >0.95
 - d) INPUT FREQUENCY : 50 Hz
 - e) EFFICACY : >100 LUMEN PER WATT
 - f) COLOUR (CCT) : 3000K/5700K/6500K/OR AS SPECIFIED
 - g) CRI : >80 RA
 - h) TOTAL HARMONIC DISTORTION : ≤ 10% THD
 - i) BEAM ANGLE : 120 DEGREE
 - j) SURFACE TEMPERATURE : MAX. 70°
 - k) SURGE PROTECTION : 10 KV SPD

- Light Fitting OPTIONS :**
- Light Fitting CONSTRUCTION :** STAINLESS STEEL
- 1) MATERIAL CONSTRUCTION : STAINLESS STEEL
 - 2) VOLTAGE : 220V DC/110V AC/110V DC/24V AC
 - 3) BEAM ANGLE : LENS AVAILABLE 60/90/120 DEGREE
 - 4) LED MAKE : CITIZEN/OSRAM/BRIDGELUX/EQUIVALENT
 - 5) DRIVER MAKE : OSRAM/PHILIPS/FULHAM/EQUIVALENT
 - 6) CABLE GLAND & PLUG : BRASS/S.S./ALUMINIUM
 - 7) WIRE GUARD : M.S. WHITE EPOXY POWDER COATED / S.S.



- Reference IS/IEC Standard as follows :**
- 1 - FLAMEPROOF (Ex d) PROTECTION - IIA/IIb & IIC, IS/IEC 60079-1 (2014)
 - TEMPERATURE CLASS - T6
 - 2 - INGRESS (IP) PROTECTION - IP-66, IS/IEC 60529 (2001). (Reaffirmed 2014)
- Standard Specification :**
- 1 - MATERIAL - CAST ALUMINIUM ALLOY
 - 2 - FINISH - INSIDE & OUTSIDE LIGHT GREY EPOXY POWDER COATING SHADE No. 631 AS PER IS-5
 - 3 - EARTHING - 1 No. INSIDE & 2 Nos. OUTSIDE M6 SIZE S.S./BRASS SCREWS WITH 2 Nos. PLAIN WASHER
 - 4 - HARDWARE - STAINLESS STEEL
 - 5 - GASKET - 'O' RING ENDLESS NEOPRENE RUBBER GASKET
 - 6 - MOUNTING ARRGT. - AS SHOWN IN DRG.

- Material / Components Specification :**
- 1 - S.S. NAME CUM WARNING PLATE (WITH DESCRIPTION TITLE, CIMFR, PESO, SR. NO., GAS GROUP, RATING, BIS MARKING, WARNING STATUS, etc...)
 - 2 - GLASS - HEAT RESISTANCE CLEAR TOUCHENED GLASS 'TYPE-A' OF 'SUDHIR' BRAND
 - 3 - CABLE ENTRIES - 2 Nos. M20 / 1/2" NPT / 3/4" ET SIZE CABLE ENTRIES FROM SIDE (REFER DRAWING)
 - 4 - TERMINALS - 6 Nos. 2.5sq. mm (MICRO) CLIP-ON TYPE TERMINALS OF 'ELMEY/CONNECTWELL' MAKE



THIS DRAWING IS PROPERTY OF "SUDHIR SWITCHGEARS PVT. LTD." AND MUST BE RETURNED ON REQUEST IF IT IS SUBMITTED AS CONFIDENTIAL INFORMATION IN CONNECTION WITH ENQUIRY, TENDER, ORDER, OR CONTRACTS IT IS NOT TO BE USED FOR ANY OTHER PURPOSE OR ORDER NOR MAY IT RE-COPIED OR LENT WITHOUT OUR AUTHORITY IN WRITING.

THANE

| | | | |
|---|------|--|----------------|
| NOTE : | | CAT. No. | |
| <ul style="list-style-type: none"> • COMPONENT LAYOUT IS TENTATIVE RELOCATION OF PARTS & COMPONENTS IS POSSIBLE AT THE TIME OF ACTUAL MANUFACTURING. • OVERALL DIMENSIONS ARE ±10mm | | WG/1240 | |
| | | MODEL No.: | WG/1240/FL/120 |
| | | DRN. | profill |
| | | CHKD. | JASRAH |
| | | APPD. | |
| | | SHEET | 1 OF 1 |
| | | N. T. S. | REV.-0 |
| REV. | DATE | DESCRIPTION | DRN. |
| | | <p>SUDHIR SWITCHGEARS PVT. LTD. 130, MULBENI SAMACHAR MARG, MULBENI - 400 023</p> <p>TITLE : FLP-WP ENCLOSURE FOR FLOOD LIGHT FITTING SUITABLE FOR 120 WATTS LED LIGHT FITTING</p> <p>QMR. CERT. No. : IN/CIMFR/TR21/P/H176 Dt. 11/08/2021</p> <p>PESO No. : P546023/1 Dt. 26/09/2022</p> <p>BIS LICENCE No. : CM/L-0002914461</p> | |